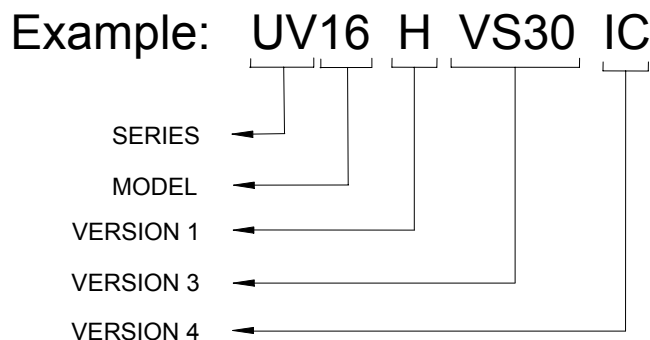


UV Vacuum Pump IDENTIFICATION



| UV versions | | | |
|----------------------------------|---------------------------------|--|--|
| (follow the sequence here below) | | | |
| Pos. | Version | Description | Specification |
| 1 | H | Hot operating temperature | for water vapour suction |
| 2 | G | Smaller Electrical Motor | for vacuum from 0,5 to 300 mbar(a) |
| 3 | VS ... ⁽¹⁾ | Variable rotation Speed | with frequency converter |
| 4 | IC | Inlet pressure Control | overpressure protection |
| 5 | OC | Operating Constant Pressure control device | for net constant pressure control |
| 6 | B ⁽²⁾ | with roots B ooster | high capacity at low pressure |
| 7 | W | Water cooling | water cooled oil cooler |
| 8 | AW | Air or Water cooling | air or water oil cooling (manual selection) |
| 9 | HR | Heat Recovery | air and/or water oil cooling (automatic mode) |
| 10 | HC | Hot Climate | one step higher motors and electrical parts |
| 11 | BF | Bottle Filling | special version for beer filling |
| 12 | OS | Oil Separation | with inlet oil separator and oil drainer |
| 13 | LS ⁽³⁾ | Liquid Separation | with inlet liquid separator and liquid drainer |
| 14 | SS ⁽⁴⁾ | Stainless Steel | stainless steel cabin |
| 15 | PS ⁽⁵⁾ | Special Power Supply | different from standard 400 Volt, 50 Hertz, 3 phases |
| 16 | Ex ⁽⁶⁾ | Ex-proof version | Ex-proof electrical devices |
| 17 | BP | Brick and Pasta | UV8 H and UV16 H with big size oil filter |
| 18 | S | Special | special customer request |

(1) = insert installed motor power in kW

(2) = insert nominal capacity and first letter booster manufacture's name

(3) = LS means pump with liquid separator and liquid drainer made in painted or galvanized carbon steel
 LSS means pump with liquid separator and liquid drainer made in AISI 304 stainless steel

(4) = AISI 304 stainless steel vacuum pump cabin

(5) = PS380.60.3

(6) = fill Ex proof zone, division and group

Example: VS30

Example: B2000B means 2.000 m³/h booster Bora manufactured

Example: 380 Volt, 60 Hertz, 3 phases power supply